

Electric lubricating press, lubricating grease gun 20L



Pro-Tech
shop

Instructions for use

Translation of the original instructions



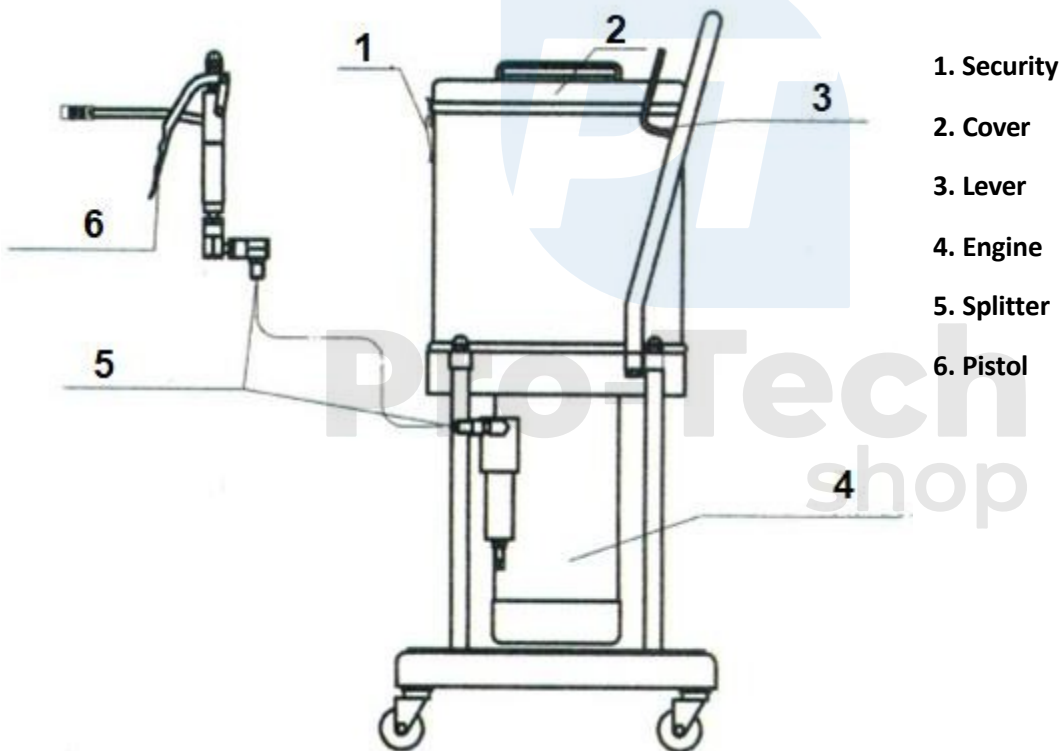
WARNING

Read the operating instructions before using the tool. Once you have read it, it is recommended that you keep it in an easily accessible place so that you can always refer to it again when using the tool.

External description

2. Preparation for use

- 1) Open the packaging and remove the device.
- 2) Connect all accessories to the device.
- 3) Check that both the high-pressure hose and the gun are correctly connected.
- 4) Release the latch and lift the lid, refill the lubricant, then close and secure the lid.
- 5) Place the device on a flat and stable surface.
- 6) Connect the power cord to the power source.



ATTENTION!

Be especially careful not to get sand or other foreign objects into the pump. This will damage the equipment.

General safety regulations for power-driven tools.

Failure to follow these instructions may result in electric shock, fire or serious injury.

Keep all regulations and safety instructions carefully for future reference.

The term "power tools" used in the following text refers to mains-powered power tools (with power cord).

1) Safety in the workplace

- (a) The workplace must be kept clean and well lit. A messy workplace or an unlit work area can cause accidents.
- (b) Do not operate this power tool in an explosive environment where flammable liquids, gases, or fluids are present. Sparks are produced when working with the power tool, which can cause ignition.
- (c) When using the appliance, ensure that children and other bystanders are at a safe distance. Distraction may result in loss of control of the tool.

2) Working with fat

- a) Before refilling the lubricant reservoir, read the information on the lubricant to be used.
- b) Never direct the lubricant stream at persons or animals.
- c) In case of skin contamination, wash the area thoroughly with soap and water.
- d) In the event of a spill/soiling of the floor, mark the spot and remove the residue as soon as possible lubricants so that they do not pose a hazard to other personnel. An extremely slippery substance can lead to a dangerous accident.

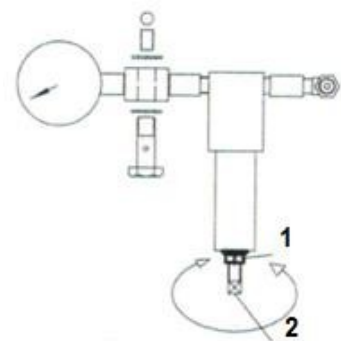
3) Working with an electric lubricating machine.

- a) Before refilling the tank, it is essential to disconnect power to the appliance to minimise the risk of an accident.
- b) When working, be careful not to bend the pressure hose, this can lead to damage.
- c) When refilling the tank, pay particular attention to the cleanliness of the lubricant. Dirt or solid objects in the lubricant will lead to damage to the pump.
- d) Pump pressure control.

The pressure regulator is factory set to 35 MPa.

It does not need to be set by default. If it is the case that the controller is out of tune, it is necessary to adjust it:

- d1) Unscrew the screw that locks the regulator.
- d2) If we increase the pressure, screw the regulator in.
- d3) If lowering pressure, unscrew the regulator outwards.
- d4) After making the adjustment, secure the set screw again.



1. Screw 2 . Regulator

DO NOT INSTALL PRESSURE HIGHER THAN 35 MPa

Any design changes or incorrect adjustments can lead to serious damage to the machine and, in extreme cases, to personal injury. In the event of changes being made, the manufacturer is released from any warranty liability.

e) Replenishment of lubrication points.

e1) Wipe the calamite before using the lubricant. Attach the tip to the calamite. e2) Fill the correct amount of lubricant.

e3) Remove the tip from the gun so as not to damage the calamite.

e4) If the equipment is not used for a long time, be sure to disconnect the power supply, secure the gun and hose. e5) If the pump stops supplying lubricant, there is no more lubricant in the reservoir.

Stop operation and

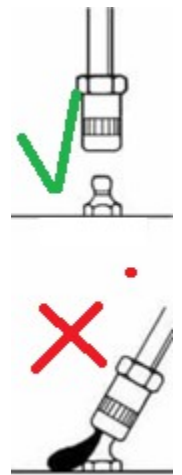
refill the reservoir with lubricant.

e6) Disconnect the mains plug. Release the safety fuse, lift the cover. e7) Fill the reservoir with lubricant.

e8) Close the cover and secure the safety lock.

Personnel operating lubricators must have up-to-date occupational health and safety training appropriate to the area of application.

A visual inspection of all connections and the pressure hose should always be carried out after use. To make the lubricating machine ready for further use.



Pro-Tech
shop

4) Maintenance and storage

It is essential to unplug the mains plug during any maintenance to minimise the risk of shock.

Clean the entire unit with a cloth dampened with soap and water.

Do not use solvents, large amounts of water or high-pressure compressed air. If storage is necessary, read the lubricant's technical data sheet.

If storage is unavoidable, refer to the lubricant datasheet, not all types of lubricant can remain in the unit.

Store the unit in its original box in a place with the most stable temperature. No third party access.

In the event of moisture, do not operate the unit until it has been checked by a service centre.

5) Technical specifications

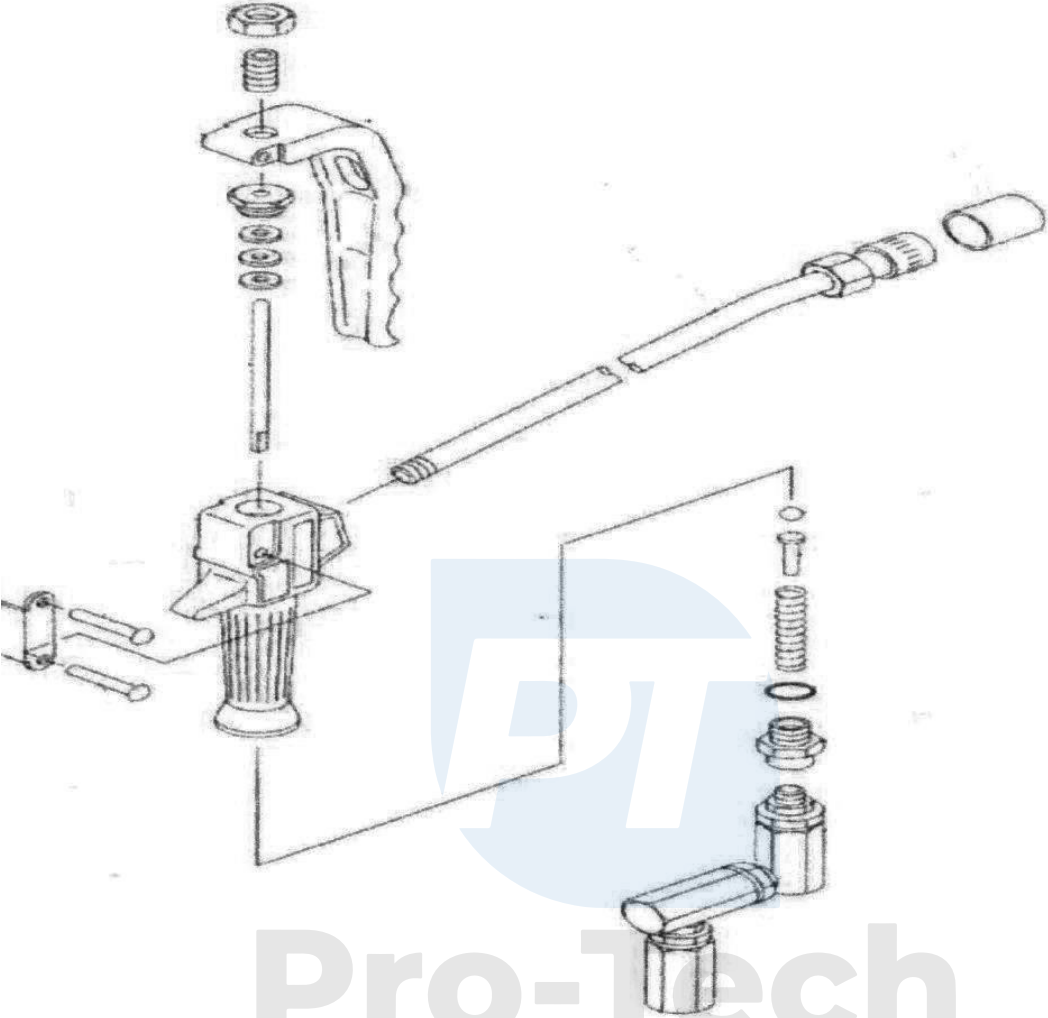
MODEL	M78065
Power	AC 230V 50HZ
Tank capacity	20L
Power	0.35 - 0.5 l/min
Outlet pressure	$\leq 400 \text{ kg/cm}^2$
Operating temperature	10-40°C
Net weight	43 kg
Dimensions	360*360*850 mm
Supplied accessories	-gun; -electrical cable (2.5 m, with connection)
Optional	-high pressure hose (4 m)

The manufacturer reserves the right to change the parameters due to continuous improvement of the product.

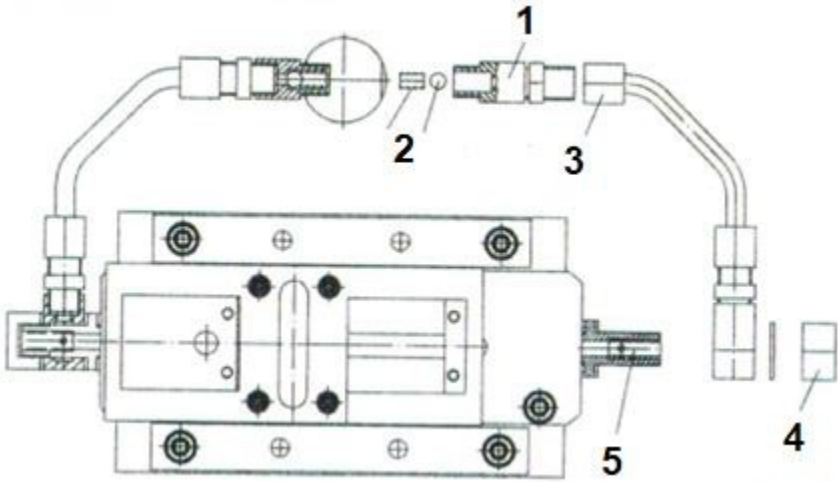
6) Problems and their solutions

PROBLEM	SHARES	PROBLEM SOLVING
The pump will not start.	<ul style="list-style-type: none"> - Check that the cable is not cut. - Check the power supply. 	<ul style="list-style-type: none"> - Replace the cable.
The pump starts but does not put pressure on the material.	<ul style="list-style-type: none"> -Check that the hose and gun are clear of obstructions; - check if there is lubricant in the container -check that the joints are tight. 	<ul style="list-style-type: none"> - Remove the source of the obstruction; - Top up the lubricant. - Seal.
The pump works, but the pressure is insufficient	<ul style="list-style-type: none"> -Check that the gun and hose are properly tightened -check that the safety valve is not loose. 	<ul style="list-style-type: none"> - Tighten the joints; - Adjust the safety valve. safety valve.
The engine is leaking lubricant.	<ul style="list-style-type: none"> - Check the seal between the pump and the motor not worn out. 	<ul style="list-style-type: none"> - Replace the gasket.
The pump works very noisily	<ul style="list-style-type: none"> - Check that the unit is assembled correctly. 	<ul style="list-style-type: none"> - Assemble the unit correctly and tighten all components.

7) Supporting drawings

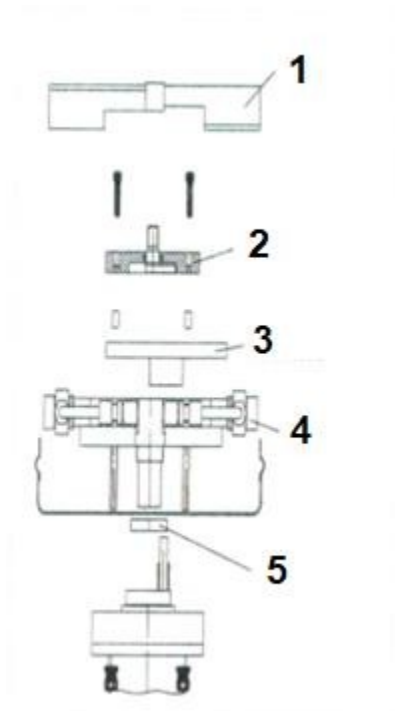


a) Drawing of the gun



- 1. Rooster
- 2. Pin
- 3. Screw
- 4. Screw
- 5. Filter

b) Pump cross-section drawing



- 1. Cover
- 2. Mounting plate
- 3. Alloy block
- 4. Pump
- 5. Castle

c) Pump drawing

8) Explanation of pictograms



Marking indicating conformity with the requirements of European standards



At the end of its useful life, the equipment is returned to the recycling centre



It is essential to wear protective gloves when working



It is essential to wear eye protection when working.



Read the operating instructions before handling.



It is strictly forbidden to hold flexible hoses in the hand. In case of damage, lubricant may penetrate under the skin.